

# Explaining the relationship between organizational climate, organizational commitment, job involvement and organizational citizenship behavior among employees of Khuzestan Gas Company

F. Gheisari<sup>\*</sup>, A. Sheikhy, S. Salajeghe

**Received:** 25 February 2014 ;      **Accepted:** 12 July 2014

**Abstract** The purpose of this study is to explain the relationship between variables of organizational climate, organizational commitment, job involvement and organizational citizenship behavior. The study population included 1276 employees of the gas company in Khuzestan province. To this aim 296 subjects were selected according to the Cochran formula. To collect data, questionnaires of OCB of Podsakoff et al (1990), organizational commitment of Allen and Meyer (2010), job involvement of Edward Zuchil Patrick (1984) and the organizational climate of Halpin and Craft were used. To analyze the data, Lisrel 8.80 and spss16 were used and results of structural equations and Pearson correlation coefficients indicated that there is a statistically significant relationship between organizational climate and organizational commitment, between organizational commitment and job involvement, between job involvement and organizational citizenship behavior, between organizational citizenship behavior and organizational climate and job involvement.

**Keywords:** Organizational Climate, Organizational Commitment, Job Involvement, Organizational Citizenship Behavior.

## 1 Introduction

People in the organizations have various attitudes that affect their behavior in the organization, among them job involvement is the newest one to enter into organizational behavior. Owens (1986) considers job involvement as the degree or the extent, to which a person is cognitively engaged in his profession, represented to it, interested in it and it brings honor and prestige to him. In fact, in the process of job involvement, job represents a person, and he does his job in terms of components such as respect, loyalty and acceptance of conformity and willingness to exert effort to achieve goals. In other words the individual actually spends his time with his job [1]. But occupational commitment helps individuals to identify themselves with the organization and its goals and the point that he wishes to be a

---

<sup>\*</sup> Corresponding Author.

E-mail: [f\\_shab2007@yahoo.com](mailto:f_shab2007@yahoo.com) (F. Gheisari)

**F. Gheisari**

Department of Management, Ramhormoz Branch, Islamic Azad University, Ramhormoz, Iran

**A. Sheikhy**

Assistant Professor, Department of Statistics, Faculty of Mathematics and Computer, Shahid Bahonar University of Kerman

**S. Salajeghe**

Assistant Professor, Department of management, Kerman Branch, Islamic Azad University, Kerman, Iran

member of the organization [2]. On the other hand, Gonzalo et al (2006) considered the job commitment and job involvement associated with organizational factors, especially organizational climate. In other words, employees who have a healthy working environment can progress by applying all their power in order to have greater efficiency and a better working environment [3]. Brown and Moberge believe that organizational climate is a collection of cultures, customs and practical special methods viewed by organizational members as: (1) describes the organization, (2) separates organization from other organizations and institutions, (3) is relatively stable over time, and (4) people are affected and guided by it. On the other hand, the organizational climate affects employees' willingness to do things beyond their roles in the organization so that both the individual and the organization benefit from this practice.

The present study attempts to examine the relationship between organizational commitment and organizational citizenship behavior, and the role of the in-between variables of organizational climate and job involvement are considered too.

## **2 Review of the Related Literature**

### **2.1 Organizational commitment**

Organizational commitment is one of the job attitudes that affect important behaviors such as turnover and absenteeism [4]. In Steeres' opinion, commitment can be caused by personal factors such as age and years of service or by the organizational features such as the freedom of employees in decision making and job security [5]. Organizational commitment is real power to individuals to consider themselves committed to the organizations and the organization representing them [6], and it helps individuals to understand their identity in accordance with the organization and its goals and wishes to be a member of the organization [2].

According to Meyer and Allen commitment can be classified based on three dimensions:

1- Affective commitment: it arises in situations where because of the emotional attachment a person is willing to continue its work in the organization.

2- Continuance commitment: according to this component, because the person needs the salary and benefits of the organization, s/he continues to work in the organization.

3- Normative commitment: this commitment originates from the values of the person who works in the organization; that is the person believes that he owes his workplace [7].

Soleimani and Haghiri (2011) suggest that Porter et al consider organizational commitment including three factors:

1- Believing in the organization's goals and values 2- tendency to more efforts in the organization 3. tendency to try to stay in organization

### **2.2 Organizational Citizenship Behavior**

The term OCB for the first time was used in 1983 by Organ and his colleagues although people like Katz and Kahn considered it before them by applying the distinction between the role performance and innovative and spontaneous behaviors in the seventies and eighties AD, and before them Chester Barnard considered it by explaining tendency to cooperation in 1938. Podsakoff et al (2000) believe organizational citizenship behavior is a behavior that is voluntary and has not been designed directly by the formal reward systems in organizations,

but despite it improves the effectiveness and efficiency of organizational performance [8]. The proposed definition shows that OCB should be a voluntarily behavior not a predetermined duty and not a part of the official duties of the person, and it is a behavior that is not rewarded directly or through formal organizational structure. A behavior beyond what is formally is organized for personnel that are important to the success of the organization and organizational performance [9].

### 2.3 Organizational Citizenship Behavior dimensions

The review of the literature suggest that different dimensions have been expressed for organizational citizenship, and a number of them are mentioned in the table below.

**Table 1** Dimensions of organizational Citizenship Behavior

row	OCB dimensions	presenter	reference
1	1.Relief Behavior 2.Chivalry 3.Organizational commitment 4.Organizational obedience 5.Individual initiative 6.Civic virtue 7.Self Improvement	Podsakoff et al, 2000	Podsakoff et al, 2000
2	1.Relief Behavior 2.Chivalry 3.Individual initiative 4.Social costume 5.Organizational commitment 6.Self satisfaction 7.Personal development	Podsakoff, 2000	Castro et al, 2004
3	1.Chivalry 2.Social costume 3.Altruism 4.Consciousness	Netemeyer,1997	Castro et al, 2004
4	1.Effective and active assistance 2.Avoiding behavior that may hurt partners, organizations and individuals	Livia Markoczy,2004	Vigoda, 2000
5	1.Persisting with enthusiasm and extra effort 2.Volunteering 3.Help to perform tasks and working with others 4.Supporting institutional rules and practices 5.Supporting and defending organizational objectives	Borman et al, 2001	Borman et al ,2001
6	1.Social manner 2.Consciousness 3.Altruism 4.Work harmony 5.Supporting organizational resources	Fareh et al,1997	Markoczy, 2004
7	1. Social manner 2. Conscousness 3.Altruism 4.Chivalry 5.Courtesy	Organ,1983	Markoczy & Xin, 2004

### 2.4 Organizational climate

The organizational climate just like the other definitions of management fields has different definitions. Some have considered it the same as the environment [10]. Organizational climate refers to the set of elements that are outside the scope of an organization but in general these elements are affective in an organization's activities [10]. Alagheband (2004) considers organizational climate as all internal and external factors that surround an organization.

### 2.5 Types of organizational climate

In the 1960s, Halpin and Craft have done a study in relation to organizational climate and identified six types of organizational climates:

**Open climate:** In this climate teachers (staff) have a high spirit and they work well together without aggression and conflict. This climate facilitates management strategies, tasks and affairs, and people are not disruptive to each other and teachers enjoy friendship.

**Autonomous climate:** Teachers are fairly free so that they can find a way to satisfy their social needs. Teachers (staff) are busy with their work and can quickly and easily achieve their goals.

The controlled Climate: controlled climate becomes clear with pressure to achieve organization goals at the expense of satisfying social needs. All work hard and have little time to have friendly relationship with each other, and it emphasizes on doing tasks.

Friendly climate: in this climate the manager believes that all members are a family. He avoids doing things that hurt the feelings of its members.

Paternal climate: teachers do not work together well and this is causing a lack of coordination among them. Teachers are not friendly, and morale is down markedly among them. The manager controls teachers everywhere.

The closed climate: In this climate the teachers do not involve themselves in the affairs of the organization. Teachers' (employees) job satisfaction is at a low level. The teachers try to satisfy themselves through communication with each other through their private relations. Most teachers are interested in the job release [11].

## 2.6 Job involvement

Job involvement can be defined as the involvement of people in their work. Persons, who are engaged in their work, are known and motivated by it. They tend to work harder and more efficient than others, and it is more probable for them to achieve results that customers and the organization seek. Employees with job involvement means that they are good at using their job skills and their abilities, their jobs are challenges, and they are considered as personal achievement for employees [12].

Job involvement becomes more complete when employees have positive feelings towards their jobs, they find their work meaningful, they consider its capacity to control and operate, and they are hopeful about their job future [13]. Triggers of job involvement include job resources, superior job resources, and personal resources. Job resources such as social support from colleagues and superiors, a variety of skills, independence in work and educational opportunities are positively correlated with job involvement. In superior career resources, according to the theory of conservation of resources, people seek the things that are valuable to them. Personal resources are positive self-assessment related to the people to understand their ability to control and influence their environment [14].

Employees with high job involvement are more pleasant with their jobs and dropout rates, and absenteeism are lower among them [15]. Job involvement is related to personal characteristics and the nature of the work tasks, and it increases social factors such as teamwork, participation in decision-making, the extent to which employees support the organization's goals, and it promotes a sense of accomplishment and progress in jobs and the level of job involvement [16].

Based on the research literature and the above-mentioned materials, the research conceptual model of this study is as follows:

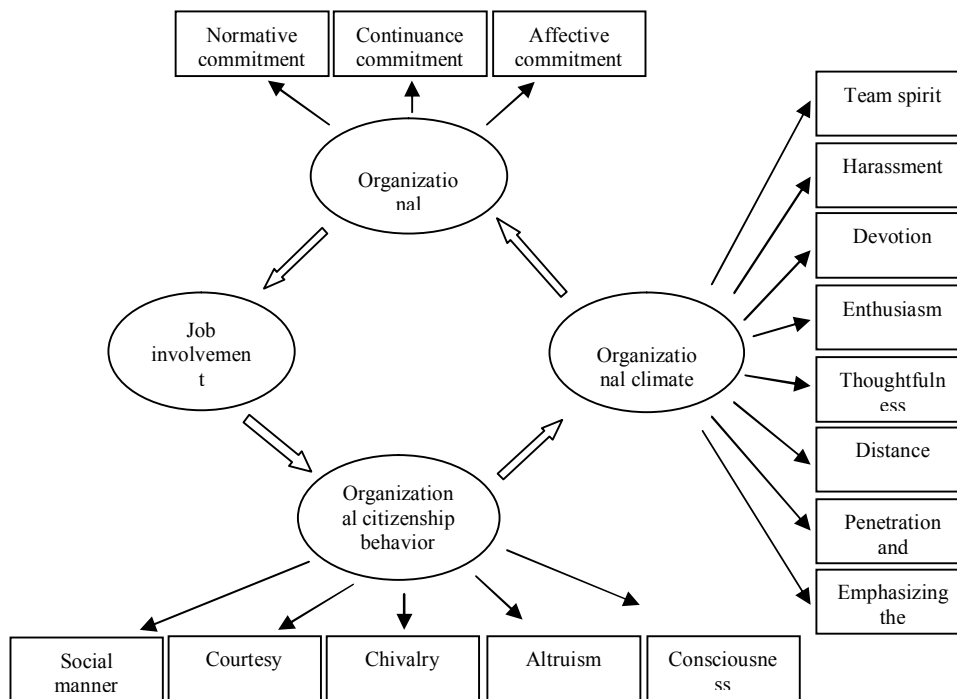


Fig. 1 Conceptual model of research

### 3 The research hypotheses

1. There is a significant relationship between organizational climate and organizational commitment.
2. There is a significant relationship between organizational commitment and job involvement.
3. There is a significant relationship between job involvement and organizational citizenship behavior.
4. There is a significant relationship between organizational citizenship behavior and organizational climate.
5. There is a significant relationship between organizational climate and job involvement.

### 4 Research Method

In terms of research implementation, this study is a descriptive – correlation study. Because this study assesses the current situation, and describes the current state, studies the properties and it studies the relationship between the variables. This research is a correlation matrix or a covariance analysis in which structural equation modeling was used.

The population consisted of 1276 employees of the gas company in Khuzestan in which 296 samples were selected on the basis of Cochran formula. To collect data, questionnaires of OCB of Podsakoff et al (1990), organizational commitment of Allen and Meyer (2010), job involvement of Edwards Zookil Patrick (1984) and the organizational climate of Halpyn and Craft were used. The questionnaires were scored according to the Likert scale except the job involvement questionnaire in which the grading is based on a scale of 4 degrees in positive questions (1, 2, 3, 4, 5, 6, 7, 8, 9, 12, 15, 20) grade 3, 2, 1, 0 are given to completely disagree,

disagree, agree and strongly agree, respectively, and negative questions (10, 11, 13, 14, 16, 17, 18, 19) are in reverse order; that is scores of 0, 1, 2, 3 are given to the choices completely disagree, disagree, agree, strongly agree, respectively. To data inferential analysis Lisrel software in inferential statistics and structural equation modeling method was used.

**Table 2** Characteristics of the study questionnaire

Questionnaire	Organizational climate	Organizational commitment	Job Involvement	Organizational citizenship behavior
dimensions	team spirit, harassment, devotion, enthusiasm, thoughtfulness, distance, penetration and dynamics, emphasizing the production	affective commitment, continuance commitment, normative commitment		altruism, conscientious, chivalry, courtesy, social manners
Cronbach's alpha coefficient	%89	%77	%87	%88
Ranking Options	very low, low, medium, high, very high	highly disagree, slightly disagree, no idea, slightly agree, highly agree	totally disagree, disagree, agree, strongly agree	very low, low, medium, high, very high

## 5 Data analysis

Before examining the hypotheses, it is necessary to consider the correlation between latent the variables. Table 3 shows the results of analyzing the correlation between the number of latent variables related directly and significantly ( $P < 0.05$ ) with each other.

**Table 3** Correlations between study variables

Variable	Organizational climate	Organizational commitment	Job involvement	Organizational citizenship behavior
Organizational climate (OC)	1			
Commitment(C)	0.56	1		
Job Involvement (N)	0.45	0.77	1	
organizational citizenship behavior (OCB)	0.68	0.60	0.56	1

## 6 The structural model test

In this study, confirmatory factor analysis for path analysis and the measurements test was used to confirm the structural model for the study.

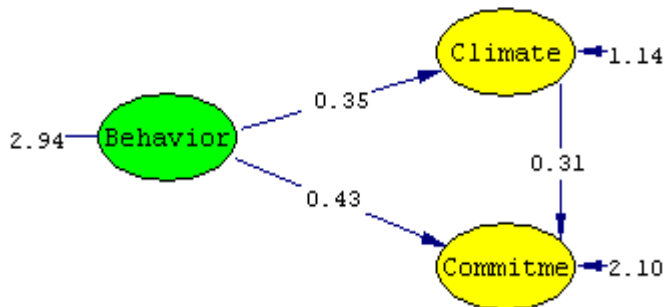


Fig. 2 Structural model of commitment, organizational climate and organizational citizenship behavior in standard mode

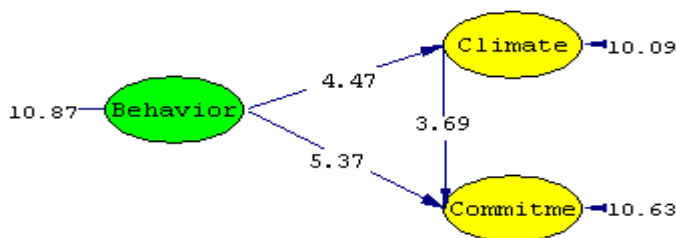


Fig. 3 Structural model of commitment, organizational climate and organizational citizenship behavior in a significance

Table 4 Results of the review of goodness of fit

AGFI	GFI	RMSEA	P-VALUE	DF	CHI-SQUARE
0.90	0.92	0.064	0.000	346	508.62

Results of goodness of fit indices of the structural model in the table below indicate the model is fit. Because the amount less than  $0.08 > RMSEA$  indicates a good fit of the structural model. The values of CFI, GFI, AGFI, NFI, NNFI are all higher than 0.9.

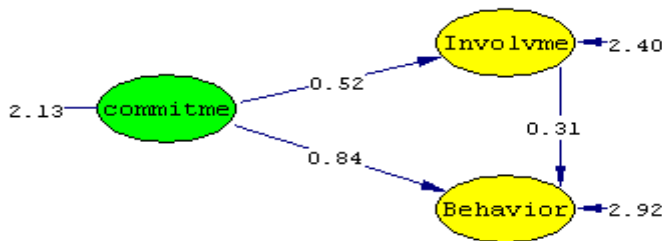
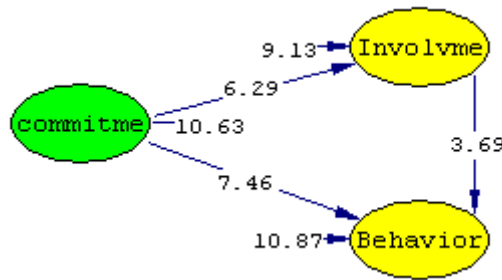


Fig. 4 Structural model of commitment, involvement and organizational citizenship behavior instandard mode



**Fig. 5** Structural model of commitment, involvement and organizational citizenship behavior in significance

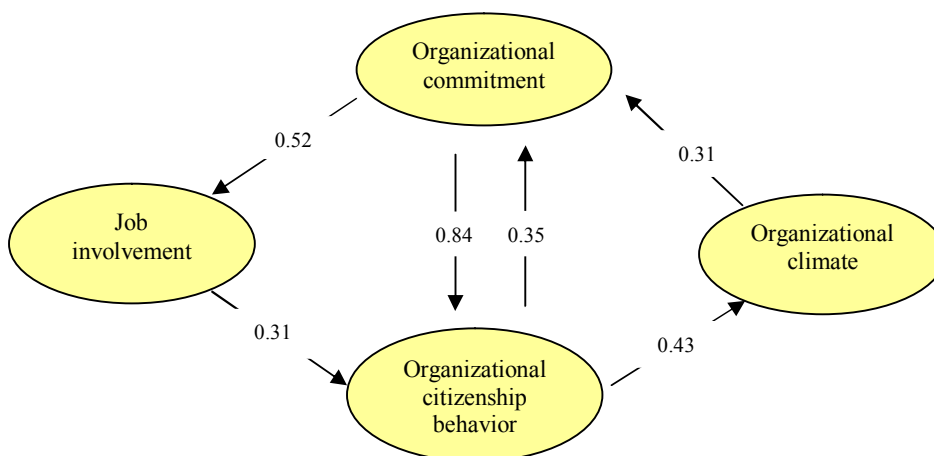
**Table 5** Results of the review of goodness of fit

AGFI	GFI	RMSEA	P-VALUE	DF	CHI--SQUARE
0.90	0.91	0.075	0.000	402	709.26

Results of goodness of fit indices of the structural model in the table below indicate the model is fit. Because the amount less than 0.08 > RMSEA indicates acceptable fitness of the structural model. The values of CFI, GFI, AGFI, NFI, NNFI are all higher than 0.9.

**Table 6** The results of significance coefficients and direct relationship

path	Abbr	t-value	$\beta$
Organizational climate ----Organizational commitment	OC---C	3.69	0.31
Organizational citizenship behavior ---- Organizational climate	OCB --- OC	4.47	0.43
Organizational citizenship behavior ---- Organizational commitment	OCB --- C	5.37	0.35
Organizational commitment ---- Job involvement	C --- N	6.29	0.52
Job involvement ---- Organizational citizenship behavior	N --- OCB	3.69	0.31
Organizational commitment ---- Organizational citizenship behavior	C --- OCB	7.46	0.84



**Fig. 6** The model based on research findings



## **7 Research Results**

### **The first hypothesis**

As shown in Table 3 and Figure 2, the correlation coefficient and standardized path coefficient between organizational climate and organizational commitment are 0.56 and 0.31 respectively that is statistically significant at the 95% level. It depicts the office where there is a good organizational climate in which there is high level of organizational commitment so the research hypothesis based on the relationship between organizational climate and job commitment is confirmed.

### **The second hypothesis**

As shown in Table 3 and Figure 2 the correlation coefficient and standardized path coefficient between job involvement and organizational commitment are 0.77 and 0.52 respectively. So the results show that the relationship between organizational climate and job involvement is statistically significant at the 95% level.

### **The third hypothesis**

As shown in Table 3 and Figure 4, the correlation coefficient and standardized path coefficient between job involvement and organizational citizenship behavior are 0.31 and 0.56 respectively, and it is statistically significant at the 95% level. It means in the office where the job involvement is in good, standing the organizational citizenship behavior of employees will occur more. So the researcher's hypothesis based on the relationship between job involvement and organizational citizenship behavior is confirmed.

### **The fourth hypothesis**

As shown in Table 3 and Figure 2, the correlation coefficient and standardized path coefficient between organizational citizenship behavior and organizational climate are 0.35 and 0.68 respectively. So the results show that the relationship between organizational citizenship behavior and organizational climate is statistically significant at the 95% level.

### **The fifth hypothesis**

As shown in Table 3 the correlation coefficient between organizational climate and job involvement is 0.45. So the results show that the relationship between job involvement and organizational climate is statistically significant at the 95% level.

## **8 Suggestions**

1- Due to the impact of organizational climate on employee engagement commitment it should be noted that employees' intimacy, interest, thoughtfulness, influence the dynamics and the production emphasis should be strengthen and the spacing of harassment by managers to take action should be improved.

2- According to the second hypothesis regarding the impact of employees' commitment on their job involvement, it is emphasized to strengthen affective, continuous and normative commitment in Khuzestan Gas Company.

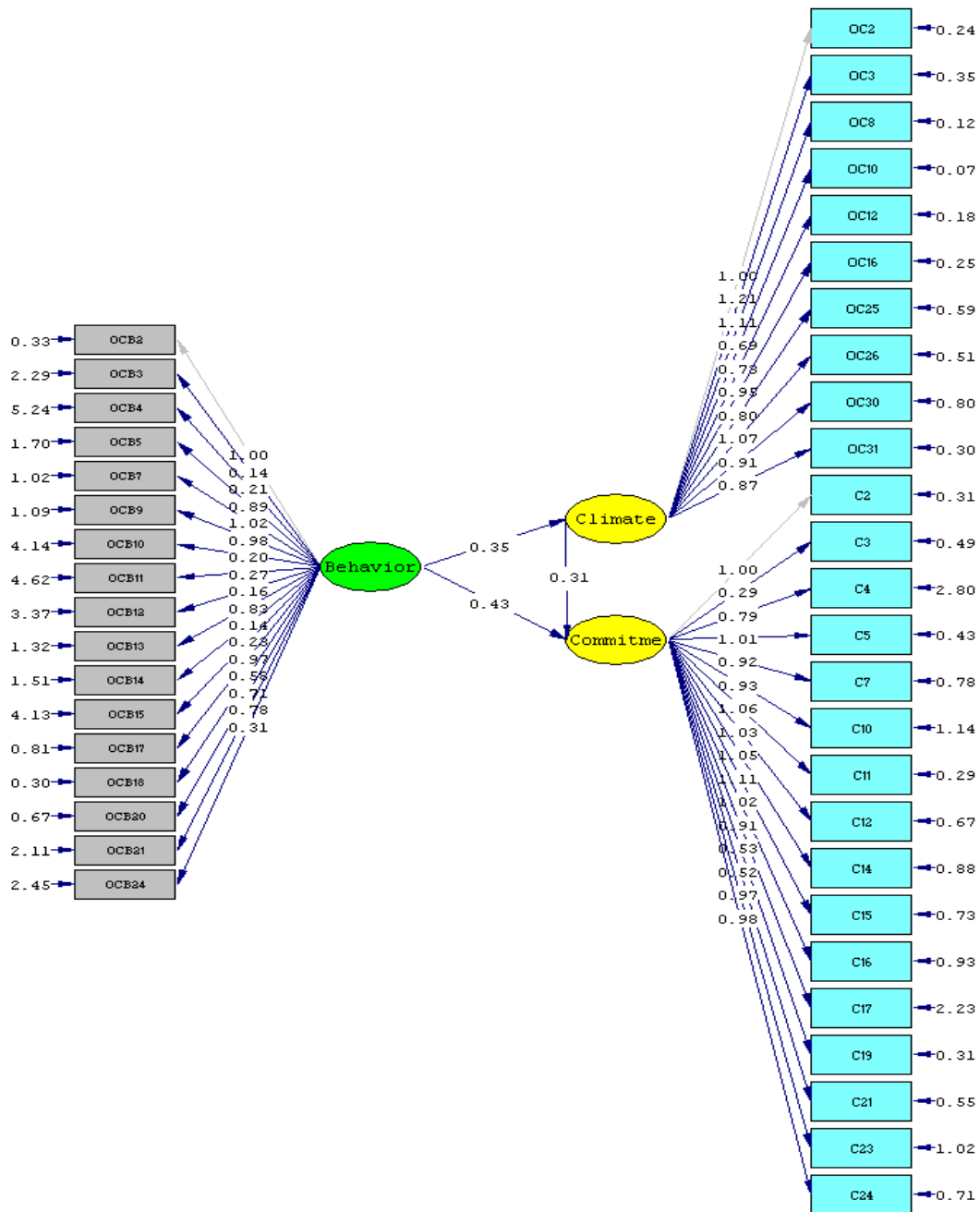
3- It is suggested to Company executives that job involvement questionnaire items that have positive aspects should be strengthened and try to improve inventory items with negative aspects because they have been affective according to the results of job involvement on organizational citizenship behavior.

4- According to confirm the relationship between organizational citizenship behavior and organizational climate, it is suggested that managers strengthen the social mores of organizational citizenship behavior, altruism, consciousness, generosity and courtesy in their efforts.

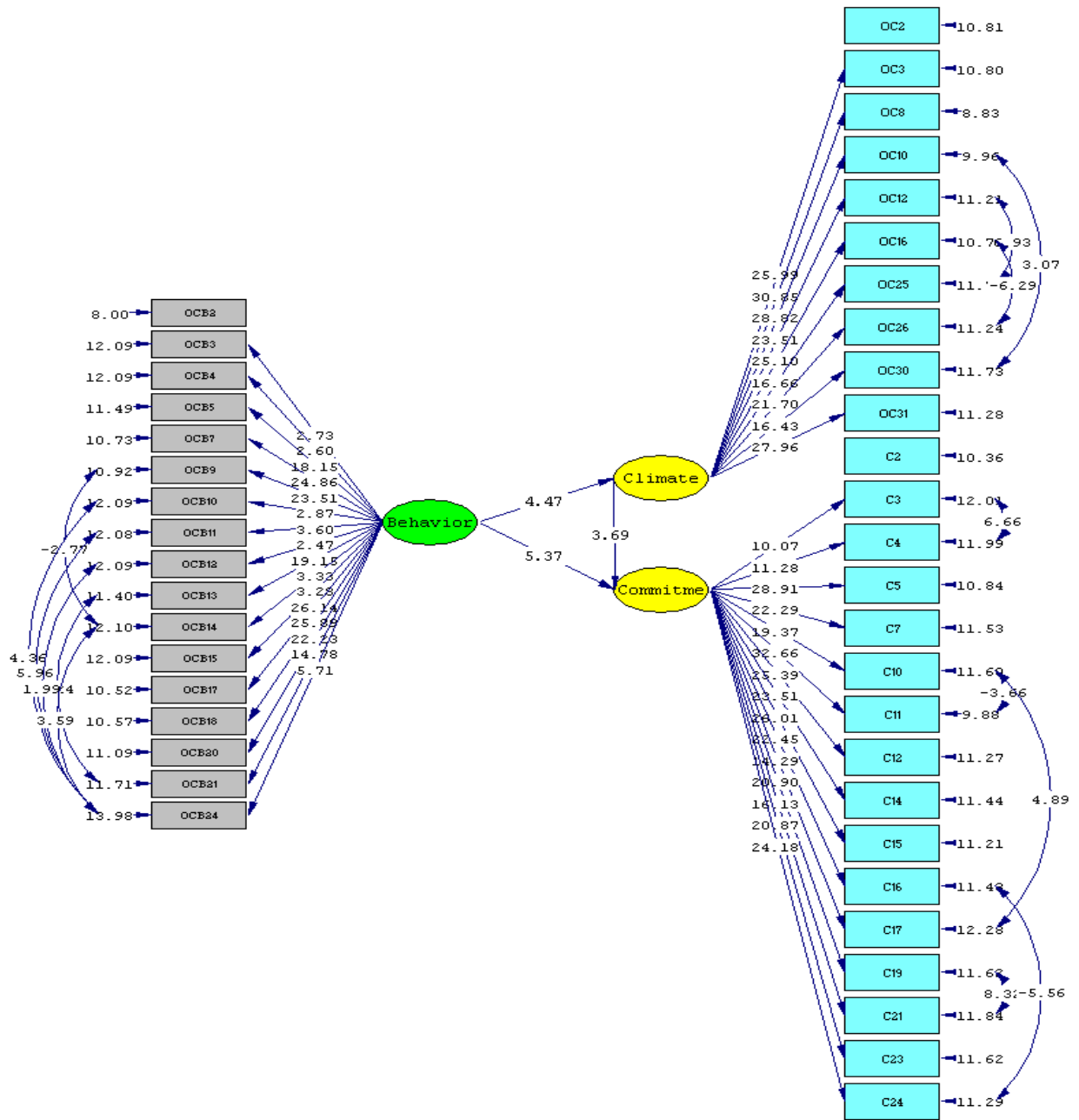
## References

1. Abbasi, D., (1998). Factors affecting job commitment in faculty of Zanjan University, Master's thesis, Tarbiat Modarres University, Tehran.
2. Miller, K., (2003). Values, attitudes and job satisfaction, In Robbins, S. P., Odendaal A., & Roodt, G. (eds), *Organizational behavior: global and southern African perspectives*. Cape Town: Pearson education South Africa.
3. Gonzalez, J., Grazzo, T., (2006). Structural relationships between organizational service orientation, contact employee job satisfaction and citizenship behavior. *International journal of service industry management*, 17(1), 23-50.
4. Robbins, S., (2010). *Organizational Behavior*, translated by Ali Parsaeian and sayyed Mohammad Arabi, Tehran, Cultural Research Bureau.
5. Soleimani, N., Haghiri, A., (2011). Evaluation of managers moralizing with organizational commitment and job involvement of employees in Semnan city departments of education. *Journal of Education*, 107, 69-90.
6. Arnold, K. A., (2005). *An Anachronistic approach to leadership theory: the case for inclusiveness*. Honolulu, Hawaii, (august 5-1).
7. Meyer, J.P., Allen, N.J., (1991). A three-component conceptualization of organizational commitment. *Human Resource management Review*, 1, 61-98.
8. Appelbaum, S., (2004). *Organizational Citizenship Behavior: a case study of culture, leadership and trust*. *Journal Management decision*, 42(1), 13-40.
9. Senobari, M., (2008). *Organizational citizenship behavior (concepts, definitions, dimensions and factors affecting it)*. *Journal of Police Human Development*, 16, 79-99.
10. Alagheband, A., (2004). *Theoretical Foundations and Principles of Educational Management*. Ravan publication.
11. Mir Kamaly, S.M., (2001). *Human relations in school*, Yastaroon.
12. Roux, S., (2010). *The relationship between authentic leadership, optimism, self-efficacy and work engagement: an exploratory study*. (Master dissertation) Stellenbosch University.
13. Mir Mohammadi, S.M., (2012). *Original leadership and Job Involvement: Trust as a mediator variable*. *Journal of Public Administration Perspective*, 12, 15-34.
14. Bakker, A. B., Demerouti, E., (2008). *Toward a model of work engagement*. *Career development international*, 13(3), 209-223.
15. Mahdad, A., (2008). *Industrial and Organizational Psychology*, Tehran: the forest publication.
16. Zare Bahram Abadi, M., Darre, I., Azhdari, G., (2010). *The relationship between job involvement, responsibility and emotional analysis with job satisfaction*. *Journal of Counseling and Psychotherapy*, 4, 5-24.

**Appendix:**

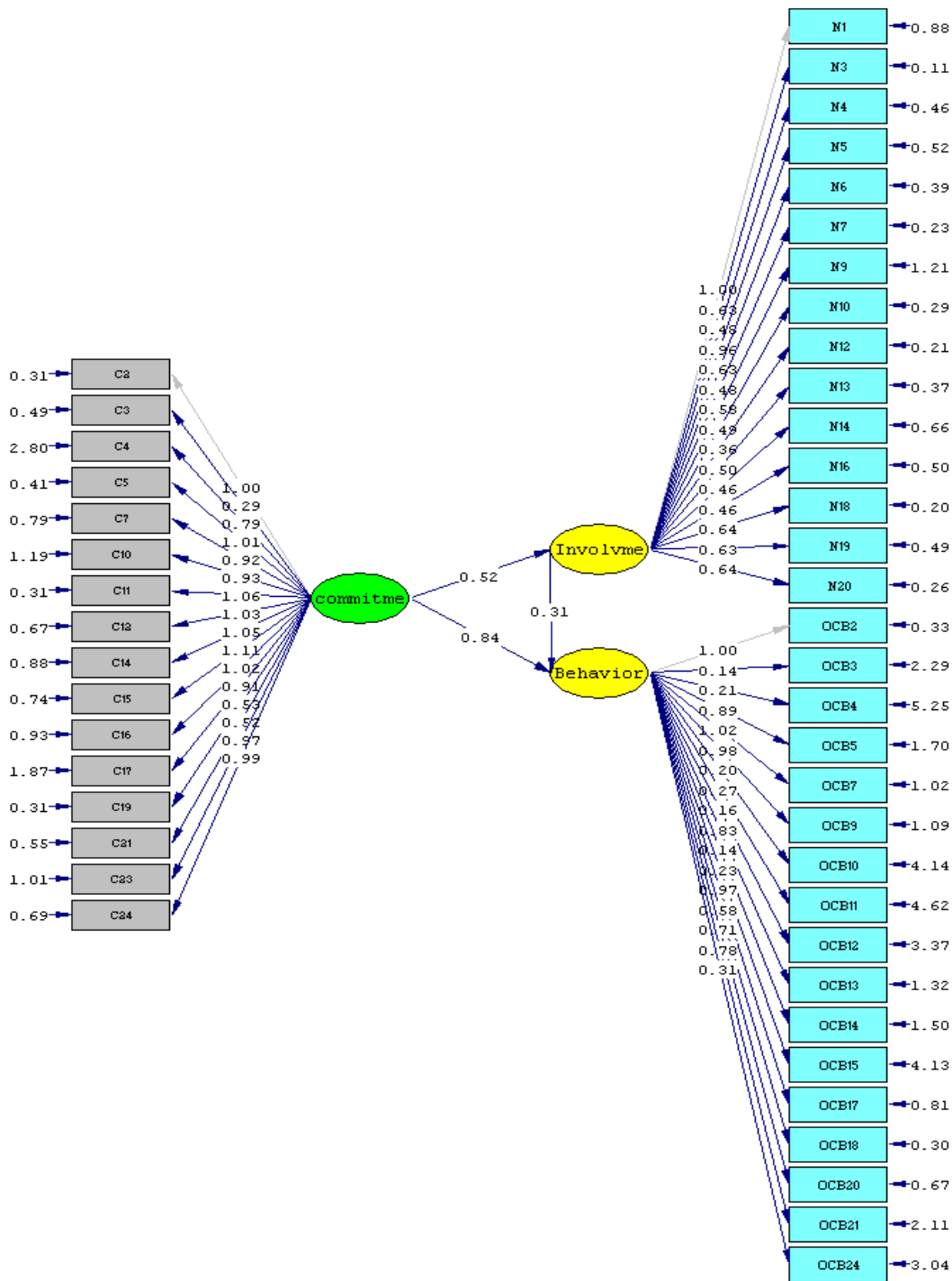


Structural model of commitment, organizational climate and organizational citizenship behavior in standard mode

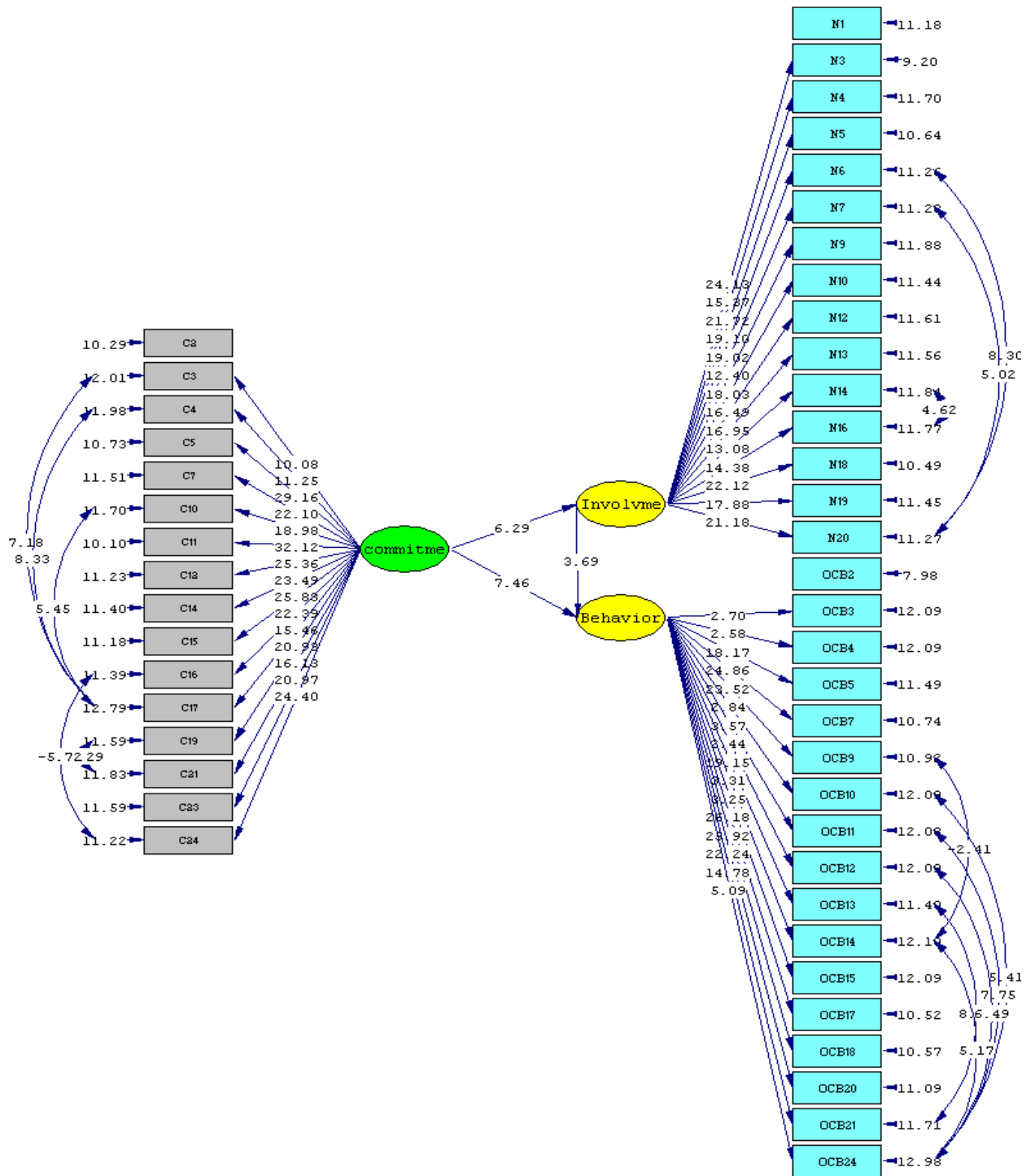


Chi-Square=508.62, df=346, P-value=0.00000, RMSEA=0.064

Structural model of commitment, organizational climate and organizational citizenship behavior in significance



Structural model of commitment, involvement and organizational citizenship behavior in standard mode



Structural model of commitment, involvement and organizational citizenship behavior in significance